

# Adelaide Jet Flame 6

## Data File

May 2016



**Adelaide Jet Flame 6**  
**C2H4-H2-N2-D44-05K**

### Contacts Details:

Prof Bassam Dally  
School of Mechanical Engineering  
The University of Adelaide  
South Australia, 5005, SA  
Australia  
Tel: +61 8 8303 5397 Fax: +61 8 8303 4367  
Email: [bassam.dally@adelaide.edu.au](mailto:bassam.dally@adelaide.edu.au)

Saleh Mahmoud  
School of Mechanical Engineering  
The University of Adelaide  
Email: [saleh.mahmoud@adelaide.edu.au](mailto:saleh.mahmoud@adelaide.edu.au)

# Table of Contents

<b>1. Citing Data and Disclaimer.....</b>	<b>2</b>
<b>2. Nomenclature.....</b>	<b>2</b>
<b>3. Burner Specifications .....</b>	<b>2</b>
<b>4. Co-Flow Air .....</b>	<b>3</b>
<b>5. Exhaust Hood.....</b>	<b>3</b>
<b>6. Fuel Composition.....</b>	<b>3</b>
<b>7. Fuel Jet Composition.....</b>	<b>3</b>
<b>8. Flow Conditions .....</b>	<b>4</b>
<b>9. Centreline Temperature Profile.....</b>	<b>4</b>
<b>10. Soot Volume Fraction Measurements.....</b>	<b>5</b>

## 1. Citing data and Disclaimer

Any publications making use of these data should reference:

“Mahmoud, S.M., Nathan, G.J., Alwahabi, Z. T., Sun, Z. W., Medwell, P. R. and Dally, B. B. (2016). The Effect of Exit Reynolds Number on Soot Volume Fraction in Turbulent Non-Premixed Jet Flames, *Combust. And Flame*, submitted. (2016).

This data release was prepared as an account of work supported by the Australian Research Council, ARC, and the University of Adelaide. Neither the ARC or the University of Adelaide, nor any agency thereof, nor any of their employees, nor any of the contractors, subcontractors, or their employees, makes any warranty, express or implied, or assumes any legal liability or responsibility for the accuracy, completeness, or usefulness of any information, apparatus, product, or process disclosed, or represents that its use would not infringe privately owned rights. Reference herein to any specific commercial product, process, or service by trade name, trademark, manufacturer, or otherwise, does not necessarily constitute or imply its endorsement, recommendation, or favouring by the University or ARC, any agency thereof or any of their contractors or subcontractors. The views and opinions expressed herein do not necessarily state or reflect those of the University of Adelaide or the ARC, any agency thereof or any of their contractors or subcontractors.

## 2. Nomenclature

Adelaide Jet Flame 6 is labelled as follows: C2H4-H2-N2-D## - ## K, where:

C2H4-H2-N2 refers to the fuel mixture

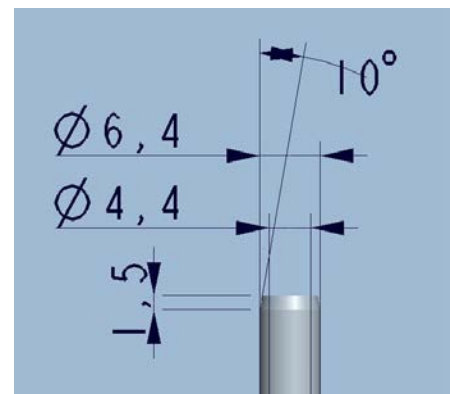
D## refers to the diameter of the pipe jet burner (D44 standing for 4.4mm inner diameter)

##K refers to the exit Reynolds's number of the flame (Re=5,000).

## 3. Burner Specifications

Adelaide jet flame 6 was stabilised on a straight pipe jet burner made of Aluminium and mounted in the middle of a contraction delivering co-flowing air at an average speed of 1.1 m/sec. The contraction has a square cross-section, at the exit plane, of dimensions 150mm by 150mm, and the pipe jet burner outlet rises above the contraction edge by a distance of 18mm.

The pipe jet burner has a length of 385mm, including a tapered end at the jet outlet. The pipe inner diameter is 4.4 mm, with a wall thickness of 1mm. A schematic of the jet outlet is shown in Figure 1.



**Fig. 1. Front View of the tapered section of the pipe jet burner. All Dimensions are in mm**

## 4. Co-Flow Air

Air is supplied through a centrifugal fan at 294K and is delivered as a co-flow to the central jet flow. The co-flow contraction has an almost uniform velocity of 1.1 m/s at 2mm above the jet nozzle level (20mm higher than tunnel exit plane). The turbulence Intensity of the co-flow is 1.5 % on average. Detailed Information is presented in Section 8.

## 5. Exhaust Hood

An exhaust hood of a conical section is installed to exhaust fume from the flame. The hood consists of a cone of an 800mm diameter at its larger end, and a 250mm diameter exhaust duct connected to the other end, and is always kept at a minimum distance of 300mm from the tip of the flame at all times during the experiments.

## 6. Fuel Composition

The fuel mixture of the flame consists of Ethylene, Hydrogen, and Nitrogen. All three gases were supplied from gas bottles, where the fuel composition of each bottle is as follows:

**Ethylene:** 99.00 % C<sub>2</sub>H<sub>4</sub>, 50 ppm moisture

**Hydrogen:** 99.50 % H<sub>2</sub>, 4000 ppm O<sub>2</sub>, 1000 ppm N<sub>2</sub>, 100 ppm moisture

**Nitrogen:** 99.99 % N<sub>2</sub>, 10 ppm O<sub>2</sub>, 10 ppm moisture

## 7. Fuel Jet Composition

The fuel jet mixture by mass for Adelaide Jet flame 6 is 65.0 % C<sub>2</sub>H<sub>4</sub>, 4.8 % H<sub>2</sub>, and 30.2 % N<sub>2</sub>. And the fuel mixture by volume is 39.9 % Ethylene, 41.6 % Hydrogen, and 18.5 % Nitrogen. The total mixture density at 294K and 101.3 KPa is calculated to be 0.712 Kg/m<sup>3</sup>, while the total viscosity (dynamic) is calculated to be 1.205E-05 kg/m.s

The mass and volumetric flow rates for Adelaide Jet Flame 6 are presented in Table 1 below. (SLM = Standard litre per minute at 294K and 1 Bar). The measurement uncertainty is 2.5% on all flow rates.

**Table 1. Adelaide Jet Flame 6 Composition by Mass and Volume**

<b>Adelaide Jet Flame</b>	<b>Composition</b>	<b>C<sub>2</sub>H<sub>4</sub></b>	<b>H<sub>2</sub></b>	<b>N<sub>2</sub></b>
	% mixture by Mass	<b>65.0</b>	<b>4.8</b>	<b>30.2</b>
	% mixture by Volume	<b>39.9</b>	<b>41.6</b>	<b>18.5</b>
<b>Jet Flame 6</b> C2H4-H2-N2-D44-05K	Mass Flow Rate ( <i>kg/s</i> )	1.336E-04	9.87E-06	6.21E-05
	Vol. Flow Rate ( <i>SLM</i> )	6.9	7.2	3.2

## 8. Flow Conditions

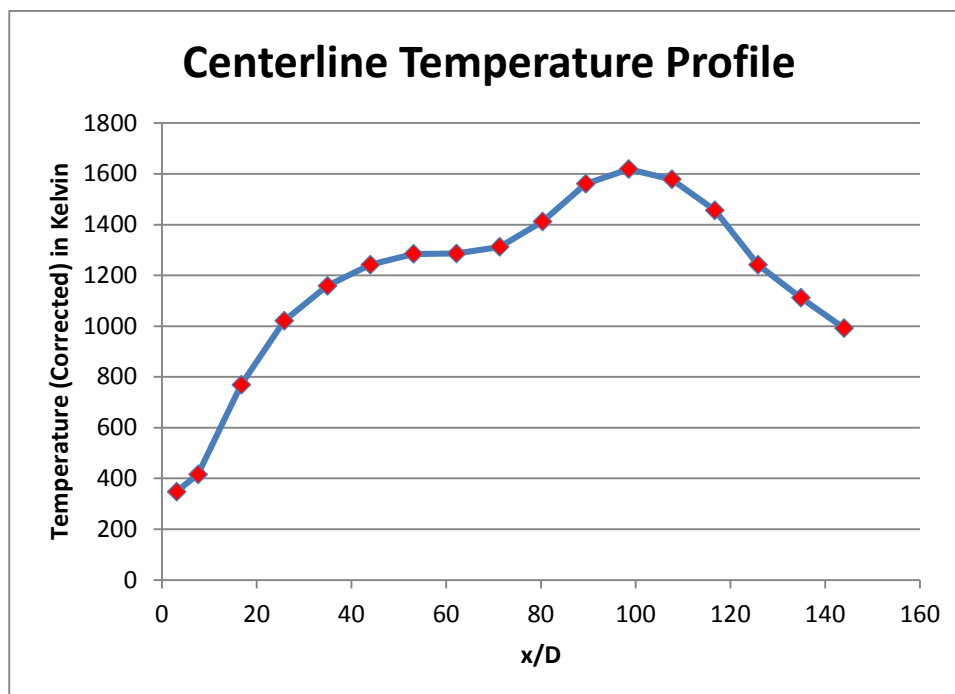
The flow conditions for Adelaide jet Flame 6 are provided in Table 2 below.

**Table 2. Flow conditions of the Adelaide jet flame 6**

	Inner Jet Diameter (D)	Total Flow rate	Mean Exit Velocity	Exit Strain Rate	Exit Re number	Mean Flame Length
			$V = \frac{\text{flow rate}}{(\pi d^2/4)}$	V/D	$Re = \rho V D / \mu$	
Jet Flame 6	(mm)	(l/min)	(m/sec)	( $\times 10^3 s^{-1}$ )	(-)	(mm)
	<b>4.4</b>	<b>17.3</b>	19.0	4.3	<b>5,000</b>	700

## 9. Centreline Temperature Profile

Centreline temperature measurements for Adelaide Jet flame 5 was measured using an R-type thermocouple of 1mm bead diameter. The readings from the thermocouple were corrected for radiation and convection losses. The temperature profile is shown in Figure 2, while the tabulated data is provided in the data excel file sheet labelled "Centreline Temperature". The estimated uncertainty is at a maximum of 4% due to uncertainties in exact centreline location (within 2mm) and the measurement fluctuation at this location.



**Fig. 2: Centreline mean temperatures of Adelaide Jet flame 6. Jet diameter D is 4.4 mm. Tabulated Data are presented in Excel file.**

## 10. Soot Volume Fraction Measurements

Soot Volume fraction measurements for Adelaide Jet flame 6 were performed at 12 locations in the flame, spanning all the heights where soot was detected, using Laser Induced Incandescence (LII). The tabulated data for all heights are presented in the data excel file in the sheet labelled "Soot Volume Fraction". The mean and RMS data provided are calculated over 500 images collected at each location. The high RMS (standard deviation) values at upstream locations is mainly due to the highly sporadic nature of soot at such locations, which drop further downstream though still reading high values due to the intermittent behaviour of soot at all locations. The high RMS values are proven to be independent of the number of images acquired at the heights. (Please refer to Data file *for Adelaide jet Flame 1* for more details). The minimum detection limit is 3ppb (on a shot by shot basis) and the measurement uncertainty on the mean values is approximated at 25%, due to uncertainty in the extinction and calibration constants. The laser sheet thickness in the flame is measured to be 0.75 mm; therefore data is provided at a cubic spatial resolution of 0.76 mm each side length.

## 11. Note

**For Flame 5, No data are available for:**

- **Mean Exit Velocity and Turbulence Intensity Profiles**
- **Global Emissions Measurement**
- **Radiant Intensity Measurements**